

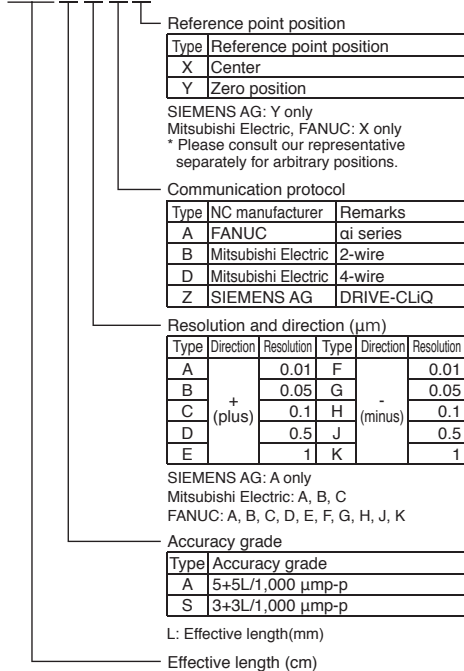
Specifications

Model name	SR27A - xxx○□A #	SR27A - xxx○□B # SR27A - xxx○□D #	SR27A - xxx○AZY
Effective length (L: mm)	70 - 2,040		
Thermal expansion coefficient	12±1 × 10 ⁻⁶ /°C		
Accuracy(at 20°C)	3+3L/1,000 μmp-p or 5+5L/1,000 μmp-p, L: Effective length (mm)		
Reference point	Center, or user-selected position (Set at factory shipping)	Fixed to center	Fixed to 10 mm from left end of effective length
Output signal	Absolute serial bidirectional signal, compliant with EIA-485		Compliant with DRIVE-CLiQ
Compatible controllers	FANUC ai interface compatible	Mitsubishi Electric	SIEMENS AG
Resolution	Selectable from 0.01, 0.05, 0.1, 0.5 and 1 μm (Set at factory shipping)	Selectable from 0.01, 0.05 and 0.1 μm (Set at factory shipping)	0.01 μm
Maximum response speed	200 m/min		
Functional safety	Please consult with each controller manufacturer regarding support for functional safety.		EN ISO13849-1:2008 Cat.3 EN 62061:2005 / IEC 61508:2010 EN61800-5-2:2007
Legal compliance	FCC Part15 Subpart B Class A ICES-003 Class A Digital Device EN55011 Gp1 Class A, EN61000-6-2		
Operating temperature range	0 to +50°C		
Storage temperature range	-20 to +55°C		
Vibration resistance	150 m/s ² (50 Hz to 3,000 Hz)		
Impact resistance	350 m/s ² (11 ms)		
Protective design grade	IP54 (Air purge not included), IP65 (Air purge included)		
Power supply voltage range	DC+4.75 to +5.25 V		DC+17 to +30.8 V
Maximum power consumption	1.3W or less (4.75V or 5.25V)		1.75W or less (17V) 1.9W or less (30.8V)
Power consumption	250mA (5V) (when the controller is connected)		75mA (24V) (when the controller is connected)
Mass	Approx. 0.39kg+ 1.53kg/m or less		
Compatible cables (types without relay connectors) Maximum cable length	CH23-***NVF 13 m	CH23-***NVM 13 m	CH22-***NSMY 30 m
Compatible cables (types with relay connectors) Maximum cable length	CH23-***NVK + CH23-***NPFA 30 m	CH23-***NVK + CH23-***NPMA 30 m	CH22-***NSMF + CH22-*** NSFY 30 m

Details of model designation

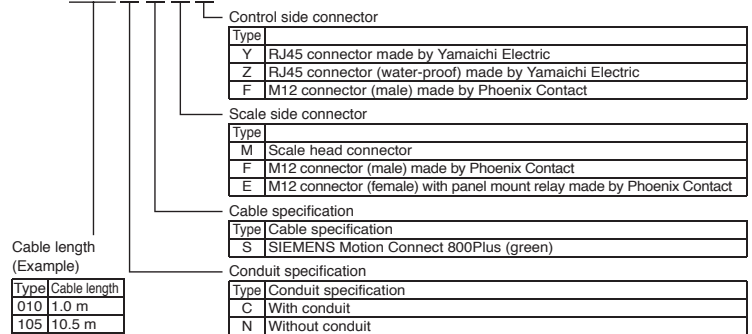
Scale

SR27A - xxx○□△ #



Cables

CH22 - xxx○□△ #



CH23 - xxx○□△ #

